

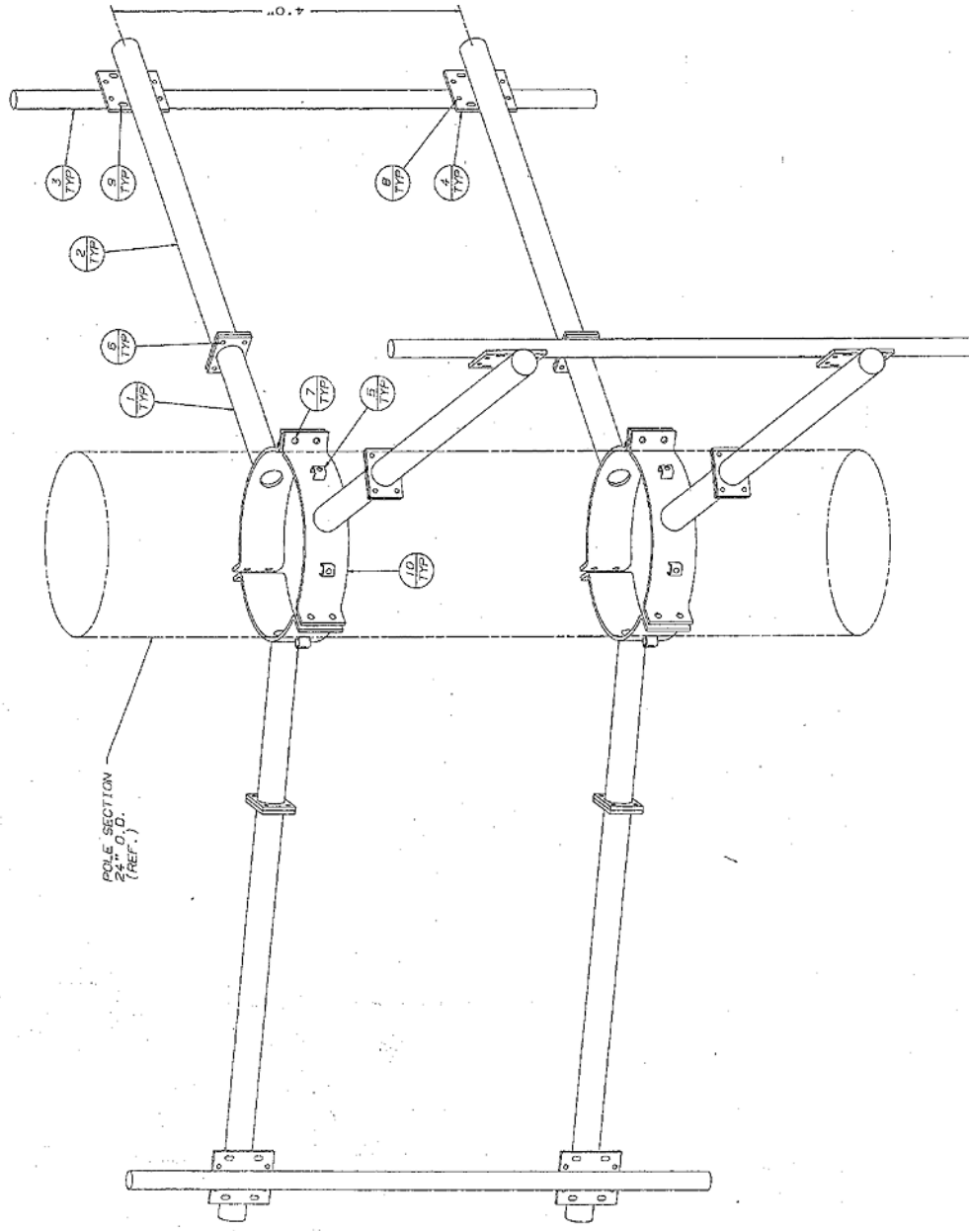


BILL OF MATERIAL			
ITEM	QTY	PART NO.	DESCRIPTION
1	2	YV4725A	SIDE ARM CLAMP
2	4	YV4725A	SIDE ARM CLAMP
3	1	YV4725A	SIDE ARM CLAMP
4	2	YV4725A	SIDE ARM CLAMP
5	2	YV4725A	SIDE ARM CLAMP
6	2	YV4725A	SIDE ARM CLAMP
7	2	YV4725A	SIDE ARM CLAMP
8	2	YV4725A	SIDE ARM CLAMP
9	2	YV4725A	SIDE ARM CLAMP
10	2	YV4725A	SIDE ARM CLAMP
11	2	YV4725A	SIDE ARM CLAMP
12	2	YV4725A	SIDE ARM CLAMP
13	2	YV4725A	SIDE ARM CLAMP
14	2	YV4725A	SIDE ARM CLAMP
15	2	YV4725A	SIDE ARM CLAMP
16	2	YV4725A	SIDE ARM CLAMP
17	2	YV4725A	SIDE ARM CLAMP
18	2	YV4725A	SIDE ARM CLAMP
19	2	YV4725A	SIDE ARM CLAMP
20	2	YV4725A	SIDE ARM CLAMP
21	2	YV4725A	SIDE ARM CLAMP
22	2	YV4725A	SIDE ARM CLAMP
23	2	YV4725A	SIDE ARM CLAMP
24	2	YV4725A	SIDE ARM CLAMP
25	2	YV4725A	SIDE ARM CLAMP
26	2	YV4725A	SIDE ARM CLAMP
27	2	YV4725A	SIDE ARM CLAMP
28	2	YV4725A	SIDE ARM CLAMP
29	2	YV4725A	SIDE ARM CLAMP
30	2	YV4725A	SIDE ARM CLAMP
31	2	YV4725A	SIDE ARM CLAMP
32	2	YV4725A	SIDE ARM CLAMP
33	2	YV4725A	SIDE ARM CLAMP
34	2	YV4725A	SIDE ARM CLAMP
35	2	YV4725A	SIDE ARM CLAMP
36	2	YV4725A	SIDE ARM CLAMP
37	2	YV4725A	SIDE ARM CLAMP
38	2	YV4725A	SIDE ARM CLAMP
39	2	YV4725A	SIDE ARM CLAMP
40	2	YV4725A	SIDE ARM CLAMP
41	2	YV4725A	SIDE ARM CLAMP
42	2	YV4725A	SIDE ARM CLAMP
43	2	YV4725A	SIDE ARM CLAMP
44	2	YV4725A	SIDE ARM CLAMP
45	2	YV4725A	SIDE ARM CLAMP
46	2	YV4725A	SIDE ARM CLAMP
47	2	YV4725A	SIDE ARM CLAMP
48	2	YV4725A	SIDE ARM CLAMP
49	2	YV4725A	SIDE ARM CLAMP
50	2	YV4725A	SIDE ARM CLAMP
51	2	YV4725A	SIDE ARM CLAMP
52	2	YV4725A	SIDE ARM CLAMP
53	2	YV4725A	SIDE ARM CLAMP
54	2	YV4725A	SIDE ARM CLAMP
55	2	YV4725A	SIDE ARM CLAMP
56	2	YV4725A	SIDE ARM CLAMP
57	2	YV4725A	SIDE ARM CLAMP
58	2	YV4725A	SIDE ARM CLAMP
59	2	YV4725A	SIDE ARM CLAMP
60	2	YV4725A	SIDE ARM CLAMP
61	2	YV4725A	SIDE ARM CLAMP
62	2	YV4725A	SIDE ARM CLAMP
63	2	YV4725A	SIDE ARM CLAMP
64	2	YV4725A	SIDE ARM CLAMP
65	2	YV4725A	SIDE ARM CLAMP
66	2	YV4725A	SIDE ARM CLAMP
67	2	YV4725A	SIDE ARM CLAMP
68	2	YV4725A	SIDE ARM CLAMP
69	2	YV4725A	SIDE ARM CLAMP
70	2	YV4725A	SIDE ARM CLAMP
71	2	YV4725A	SIDE ARM CLAMP
72	2	YV4725A	SIDE ARM CLAMP
73	2	YV4725A	SIDE ARM CLAMP
74	2	YV4725A	SIDE ARM CLAMP
75	2	YV4725A	SIDE ARM CLAMP
76	2	YV4725A	SIDE ARM CLAMP
77	2	YV4725A	SIDE ARM CLAMP
78	2	YV4725A	SIDE ARM CLAMP
79	2	YV4725A	SIDE ARM CLAMP
80	2	YV4725A	SIDE ARM CLAMP
81	2	YV4725A	SIDE ARM CLAMP
82	2	YV4725A	SIDE ARM CLAMP
83	2	YV4725A	SIDE ARM CLAMP
84	2	YV4725A	SIDE ARM CLAMP
85	2	YV4725A	SIDE ARM CLAMP
86	2	YV4725A	SIDE ARM CLAMP
87	2	YV4725A	SIDE ARM CLAMP
88	2	YV4725A	SIDE ARM CLAMP
89	2	YV4725A	SIDE ARM CLAMP
90	2	YV4725A	SIDE ARM CLAMP
91	2	YV4725A	SIDE ARM CLAMP
92	2	YV4725A	SIDE ARM CLAMP
93	2	YV4725A	SIDE ARM CLAMP
94	2	YV4725A	SIDE ARM CLAMP
95	2	YV4725A	SIDE ARM CLAMP
96	2	YV4725A	SIDE ARM CLAMP
97	2	YV4725A	SIDE ARM CLAMP
98	2	YV4725A	SIDE ARM CLAMP
99	2	YV4725A	SIDE ARM CLAMP
100	2	YV4725A	SIDE ARM CLAMP

YV4725A (3 SIDE ARMS)  
 YV4725A2 (2 SIDE ARMS)  
 YV4725A1 (1 SIDE ARM)

GENERAL NOTES

1. WARNINGS ARE PROVIDED FOR ALL SLOTTED HOLES.
2. THIS SIDE ARM IS DESIGNED FOR A MAXIMUM THRUST OF 500 LBS.



REV	DATE	BY	CHKD	DESCRIPTION
1	01/11/01	J. W. H.	J. W. H.	ISSUE FOR CONSTRUCTION
2	01/11/01	J. W. H.	J. W. H.	ISSUE FOR CONSTRUCTION
3	01/11/01	J. W. H.	J. W. H.	ISSUE FOR CONSTRUCTION
4	01/11/01	J. W. H.	J. W. H.	ISSUE FOR CONSTRUCTION
5	01/11/01	J. W. H.	J. W. H.	ISSUE FOR CONSTRUCTION
6	01/11/01	J. W. H.	J. W. H.	ISSUE FOR CONSTRUCTION
7	01/11/01	J. W. H.	J. W. H.	ISSUE FOR CONSTRUCTION
8	01/11/01	J. W. H.	J. W. H.	ISSUE FOR CONSTRUCTION
9	01/11/01	J. W. H.	J. W. H.	ISSUE FOR CONSTRUCTION
10	01/11/01	J. W. H.	J. W. H.	ISSUE FOR CONSTRUCTION