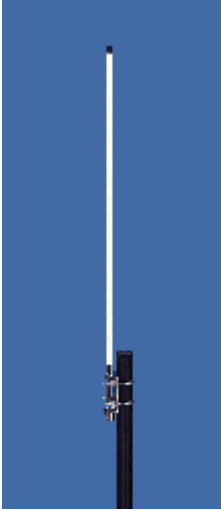




Antenna Systems & Supplies Company
 931 Albion Avenue
 Schaumburg, Illinois 60193
 United States of America
 Phone: 847-584-1000 Fax: 847-584-9951
 www.antennasystems.com

Item #BS450SA is a Basestation Antenna

Technical Specification:

<p>S Series 2.5dB Gain Omni Base Antenna with Copper Alloy Elements and 1/2" Fiberglass Radome with TNC Connector Termination.</p>	
--	---

Frequency Range	406-430 MHz
Gain:	2.5dB
Impedance:	50 ohms
Power Rating	100 watts
Bandwidth:	20MHz
VSWR:	<1.5:1

Mechanical Specs:

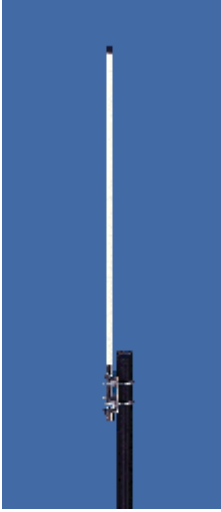
Radiator:	Copper Alloy Fiberglass Radome
Base:	Polyester Coated Aluminum
Contact:	N/A
Length:	37"
Mounting:	



Antenna Systems & Supplies Company
 931 Albion Avenue
 Schaumburg, Illinois 60193
 United States of America
 Phone: 847-584-1000 Fax: 847-584-9951
 www.antennasystems.com

Item #BS450SB is a Basestation Antenna

Technical Specification:

<p>S Series 2.5dB Gain Omni Base Antenna with Copper Alloy Elements and 1/2" Fiberglass Radome with TNC Connector Termination.</p>	
--	---

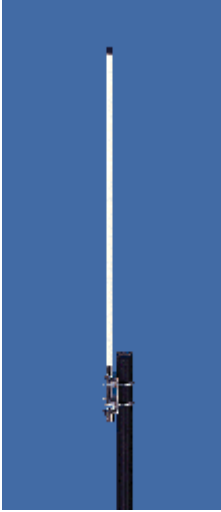
Frequency Range	430-450 MHz
Gain:	2.5dB
Impedance:	50 ohms
Power Rating	100 watts
Bandwidth:	20MHz
VSWR:	<1.5:1

Mechanical Specs:

Radiator:	Copper Alloy Fiberglass Radome
Base:	Polyester Coated Aluminum
Contact:	N/A
Length:	37"
Mounting:	



Antenna Systems & Supplies Company
 931 Albion Avenue
 Schaumburg, Illinois 60193
 United States of America
 Phone: 847-584-1000 Fax: 847-584-9951
 www.antennasystems.com

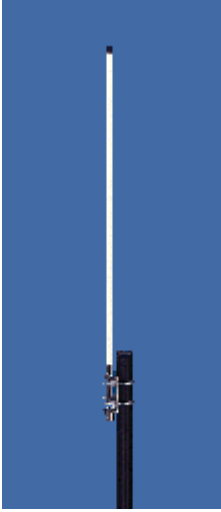
Item #BS450SC is a Basestation Antenna	
Technical Specification:	
S Series 2.5dB Gain Omni Base Antenna with Copper Alloy Elements and 1/2" Fiberglass Radome with TNC Connector Termination.	
Frequency Range	450-470 MHz
Gain:	2.5dB
Impedance:	50 ohms
Power Rating	100 watts
Bandwidth:	20MHz
VSWR:	<1.5:1
Mechanical Specs:	
Radiator:	Copper Alloy Fiberglass Radome
Base:	Polyester Coated Aluminum
Contact:	N/A
Length:	37"
Mounting:	



Antenna Systems & Supplies Company
 931 Albion Avenue
 Schaumburg, Illinois 60193
 United States of America
 Phone: 847-584-1000 Fax: 847-584-9951
 www.antennasystems.com

Item #BS450SD is a Basestation Antenna

Technical Specification:

<p>S Series 2.5dB Gain Omni Base Antenna with Copper Alloy Elements and 1/2" Fiberglass Radome with TNC Connector Termination.</p>	
--	---

Frequency Range	470-490 MHz
Gain:	2.5dB
Impedance:	50 ohms
Power Rating	100 watts
Bandwidth:	20MHz
VSWR:	<1.5:1

Mechanical Specs:

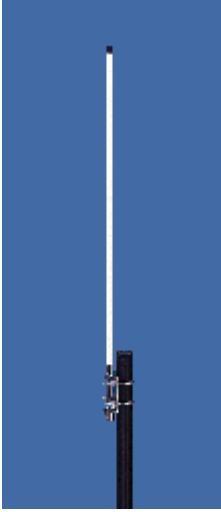
Radiator:	Copper Alloy Fiberglass Radome
Base:	Polyester Coated Aluminum
Contact:	N/A
Length:	37"
Mounting:	



Antenna Systems & Supplies Company
 931 Albion Avenue
 Schaumburg, Illinois 60193
 United States of America
 Phone: 847-584-1000 Fax: 847-584-9951
 www.antennasystems.com

Item #BS450SE is a Basestation Antenna

Technical Specification:

<p>S Series 2.5dB Gain Omni Base Antenna with Copper Alloy Elements and 1/2" Fiberglass Radome with TNC Connector Termination.</p>	
--	---

Frequency Range	490-512 MHz
Gain:	2.5dB
Impedance:	50 ohms
Power Rating	100 watts
Bandwidth:	20MHz
VSWR:	<1.5:1

Mechanical Specs:

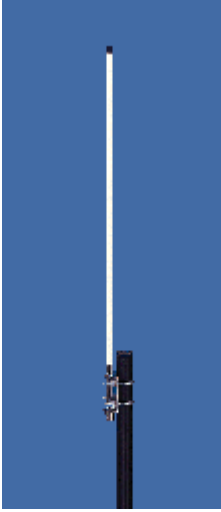
Radiator:	Copper Alloy Fiberglass Radome
Base:	Polyester Coated Aluminum
Contact:	N/A
Length:	37"
Mounting:	



Antenna Systems & Supplies Company
 931 Albion Avenue
 Schaumburg, Illinois 60193
 United States of America
 Phone: 847-584-1000 Fax: 847-584-9951
 www.antennasystems.com

Item #BS450SNA is a Basestation Antenna

Technical Specification:

S Series 2.5dB Gain Omni Base Antenna with Copper Alloy Elements and 1/2" Fiberglass Radome with N Connector Termination.	
---	---

Frequency Range	406-430 MHz
Gain:	2.5dB
Impedance:	50 ohms
Power Rating	100 watts
Bandwidth:	20MHz
VSWR:	<1.5:1

Mechanical Specs:

Radiator:	Copper Alloy Fiberglass Radome
Base:	Polyester Coated Aluminum
Contact:	N/A
Length:	37"
Mounting:	



Antenna Systems & Supplies Company
 931 Albion Avenue
 Schaumburg, Illinois 60193
 United States of America
 Phone: 847-584-1000 Fax: 847-584-9951
 www.antennasystems.com

Item #BS450SNB is a Basestation Antenna

Technical Specification:

S Series 2.5dB Gain Omni Base Antenna with Copper Alloy Elements and 1/2" Fiberglass Radome with N Connector Termination.



Frequency Range	430-450 MHz
Gain:	2.5dB
Impedance:	50 ohms
Power Rating	100 watts
Bandwidth:	20MHz
VSWR:	<1.5:1

Mechanical Specs:

Radiator:	Copper Alloy Fiberglass Radome
Base:	Polyester Coated Aluminum
Contact:	N/A
Length:	37"
Mounting:	



Antenna Systems & Supplies Company
 931 Albion Avenue
 Schaumburg, Illinois 60193
 United States of America
 Phone: 847-584-1000 Fax: 847-584-9951
 www.antennasystems.com

Item #BS450SNC is a Basestation Antenna

Technical Specification:

S Series 2.5dB Gain Omni Base Antenna with Copper Alloy Elements and 1/2" Fiberglass Radome with N Connector Termination.



Frequency Range	450-470 MHz
Gain:	2.5dB
Impedance:	50 ohms
Power Rating	100 watts
Bandwidth:	20MHz
VSWR:	<1.5:1

Mechanical Specs:

Radiator:	Copper Alloy Fiberglass Radome
Base:	Polyester Coated Aluminum
Contact:	N/A
Length:	37"
Mounting:	



Antenna Systems & Supplies Company
 931 Albion Avenue
 Schaumburg, Illinois 60193
 United States of America
 Phone: 847-584-1000 Fax: 847-584-9951
 www.antennasystems.com

Item #BS450SNE is a Basestation Antenna

Technical Specification:

S Series 2.5dB Gain Omni Base Antenna with Copper Alloy Elements and 1/2" Fiberglass Radome with N Connector Termination.



Frequency Range	490-512 Mhz
Gain:	2.5dB
Impedance:	50 ohms
Power Rating	100 watts
Bandwidth:	20MHz
VSWR:	<1.5:1

Mechanical Specs:

Radiator:	Copper Alloy Fiberglass Radome
Base:	Polyester Coated Aluminum
Contact:	N/A
Length:	37"
Mounting:	