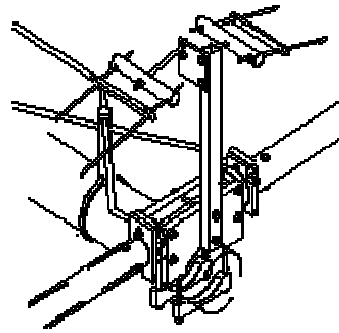
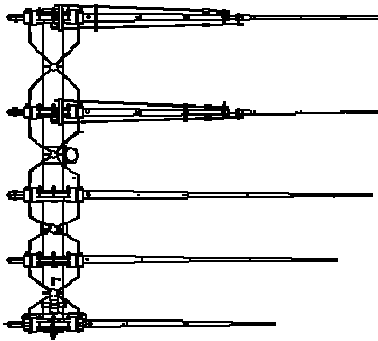


6-10LP5 125MPH VERSION



Typical linear loading assembly

SPECIFICATIONS

Model	6-10LP5 125MPH Version
Frequency range	6 to 10 MHz continuous
Typical gain	5 dBi free space
Front to back, Typical	10 dB typ.
Beamwidth	70° E and 85° in H plane
Feed impedance	50 Ohms unbalanced into 4:1 Balun
VSWR	2.5:1 max. 1.5: typ.
Input Connector	SO-239 std. N type available
Power Handling	3 kW standard, Higher available
Boom length and diameter	30 Ft x 3" x .125 wall
Maximum element length	55 Ft
Turning radius	32 Ft.
Wind Area / Survival	13 Sq. Ft. / 125 MPH
Weight / ShipWt.	94 Pounds / 113 pounds

FEATURES

The 6-10LP5 log periodic is a rugged, versatile performer designed for years of trouble free service. For the amateur radio operator it covers the 7 and 10 MHz amateur bands with high efficiency and no traps! Machined aluminum element-to-boom clamps and solid fiberglass rod center insulators are just a few of the unique structural features in this remarkable antenna. Linear loading of the two longest elements reduces element length and turning radius, putting less demand on the rotator and tower structure. Larger element sections are sleeved for additional strength.

For continuous extended coverage, the 6-10LP5 125 is designed to team up with our popular 10-30LP8 125 log periodic. This combination efficiently and economically covers a frequency range of 6 to 30 MHz, keeping you competitive on every frequency on every band instantaneously.

The 6-10LP5 125 Model is proving valuable in a variety of Maritime, Government, Commercial, MARS, Scientific and Amateur applications. Installed at 65 feet or higher, this five element antenna is a world wide performer. Solid electrical and structural design will maintain communications when other antennas have long since faded into the noise.