

Terrestrial Microwave Antenna Products

P2F-52 Antenna

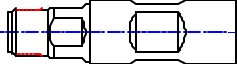
0.6m (2ft) Parabolic Antenna

Andrew 52 series antennas are designed to meet the requirements of the 5 GHz unlicensed bands. This antenna uses proprietary technology to deliver superior electrical performance.

Andrew antennas satisfy the widely accepted EIA 195C and 222E standards for electrical, mechanical and structural characteristics and are backed by a 3 year warranty.

In order to reduce shipping costs and delivery times to sites worldwide, microwave antennas are available from Andrew locations at Lochgelly, Scotland; Denton, Texas; Melbourne, Australia and Sorocaba, Brazil.



Flange Options				
Standard				
‘N’ FEMALE				
Radome Options				
Standard		None		
Optional		Moulded ABS		
Regulatory Compliances				
U.S. FCC			ETSI	
101	74	78	CLASS	GAIN
-	-	-	-	-

Electrical Characteristics		
Antenna Type		P2F-52
Frequency Band (GHz)		5.25 - 5.85
Gain (dBi)	Bottom	29.0
	Middle	29.4
	Top	30.1
3dB Beamwidth (deg.)		5.4
Cross Polar Disc. (dB)		30
F/B Ratio (dB)		41
VSWR (R.L. dB)		1.5(14.0)
R.P.E Number		4528

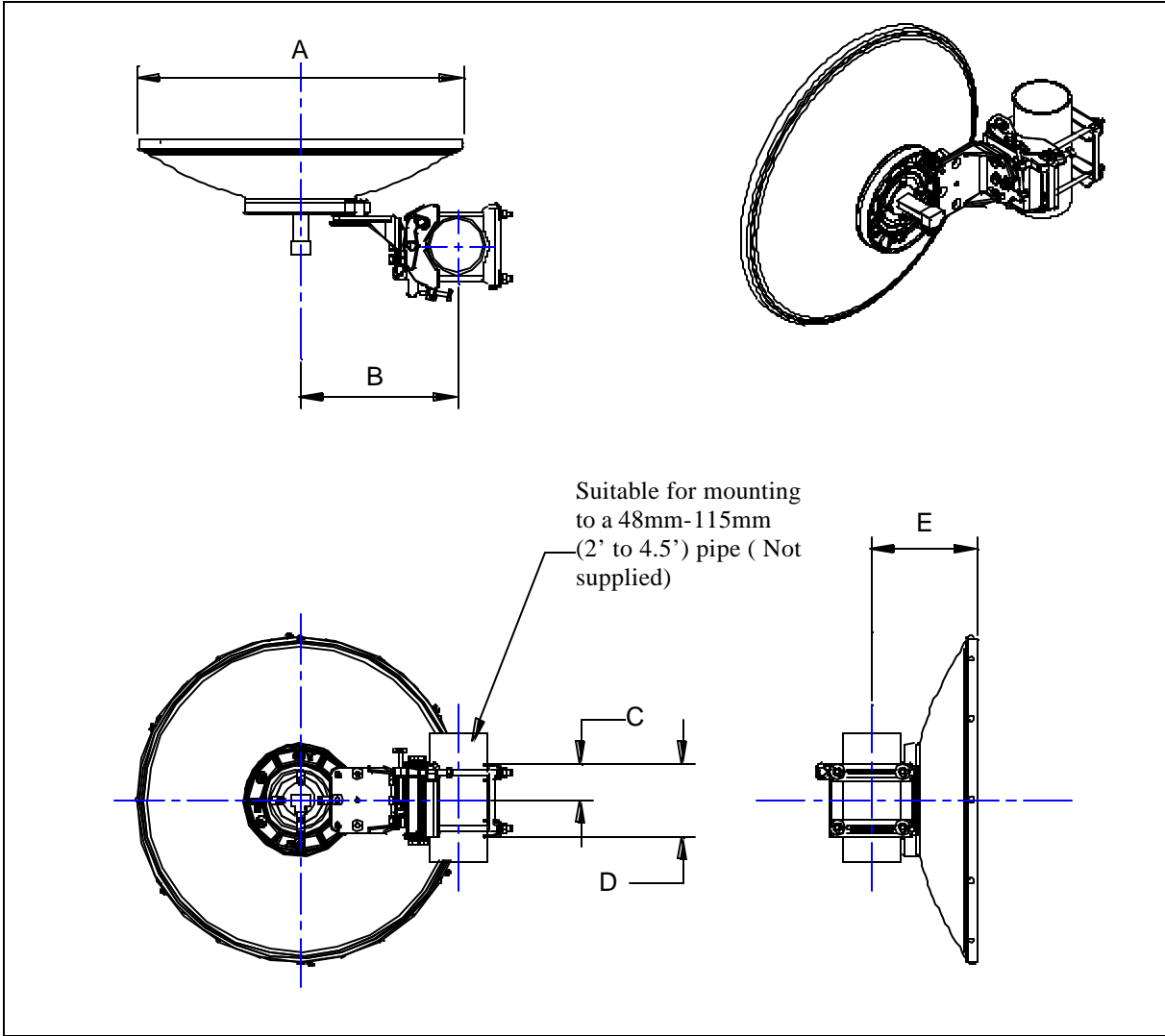
For applications assistance, please contact the Andrew Customer Support Center :

United States : TOLL FREE : 1-800-255 1479 Telephone : (708) 349 3300 Fax : (708) 349 5943	United Kingdom : TOLL FREE : 0800 250055 Telephone : (+44) 1592 780561 Fax : (+44) 1592 782380
--	--



Terrestrial Microwave Antenna Products

P2F-52 Antenna - Outline Dimensions



ANTENNA DIMENSIONS			
All dimensions in mm (inches)			
A	638 (25.1)	D	143 (5.6)
B	310 (12.2)	E	209 (8.2)
C	72 (2.8)		

ANTENNA FINE ADJUSTMENT	
FINE AZIMUTH	FINE ELEVATION
±10°	±25°

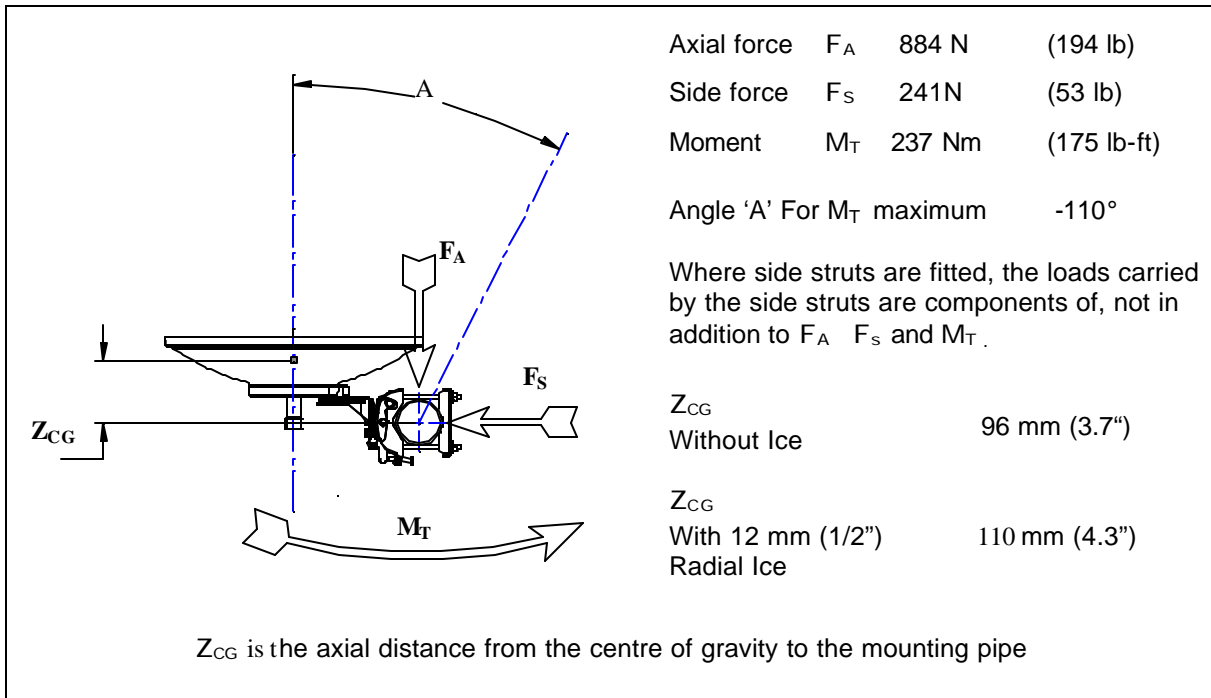


Terrestrial Microwave Antenna Products

P2F-52 Antenna – Wind Forces

Wind loading

The axial, side and twisting moment forces stated are maximum loads applied to the tower by the antenna at a survival wind speed of 200 km/h (125 mph). They are, in every case, the result of wind from the most critical direction for each parameter. The individual maximums may not occur simultaneously. All forces are referenced to the antenna mounting pipe.



Antenna Weights	
Antenna Without Ice	Antenna With 12 mm (1/2") Radial Ice
8.5 kg (18.7 lb)	10.5 kg (23.1 lb)

Antenna Packed Weights (Gross) and Dimensions (Single Unit Pack)	
Weight	Dimensions in cm (inches)
18.5 kg (40.7 lb)	76 cm x 76 cm x 76 cm (30" x 30" x 30")

