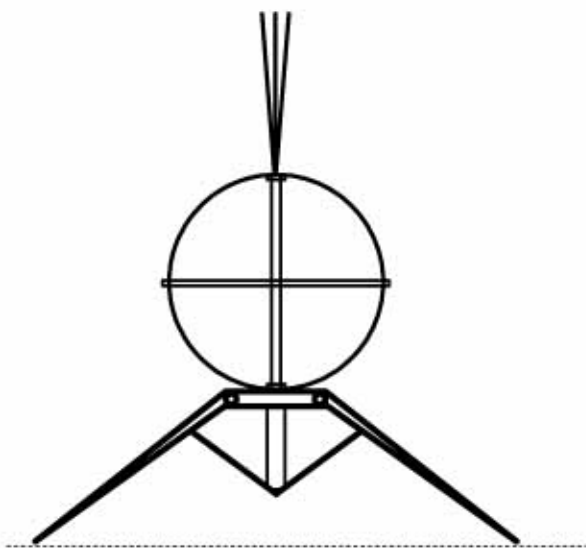


### SPECIFICATIONS:

<b>Electrical:</b>	
Frequency range	0.3 - 30 MHz
VSWR	< 2:1
Nominal input impedance	50 $\Omega$
Connector	3 x N-type female
Feed power handling	0.5 W (receive only)
Gain	See Graph
Polarisation	Vertical
<b>Mechanical:</b>	
Dimensions (l x w x h)	2000 mm x 2000 mm x 3500 mm
Dimensions (packed)	750 mm x 350 mm x 1600 mm
Weight total	60 kg



### PRODUCT FEATURES:

- Covers the whole HF band.
- Background-noise limited performance, even in quiet locations
- Waterproof.
- Tripod for mounting included

### APPLICATIONS:

- HF groundwave DF
- HF interferometric SSL DF
- HF monitoring

### PRODUCT DESCRIPTION:

A crossed-loop / monopole direction finding antenna, with a large diameter of 2 m to achieve a high sensitivity specification.

The antenna is collapsible for transport and storage. It is made of wire and coaxial cable, with aluminum and composite parts.

A lightweight tripod supports the antenna above the ground. The tripod collapses to a similar size to the antenna.

The required matching, beam-forming and calibration injection circuitry is housed in a waterproof box in the base of the antenna.

A complete kit of parts including Antenna, Tripod, RF cables on drums, Anchor stakes, Alignment tool and Transit case is supplied with each antenna.

# HF DF Loop Array

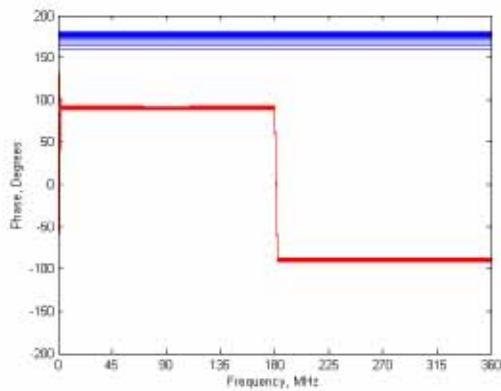
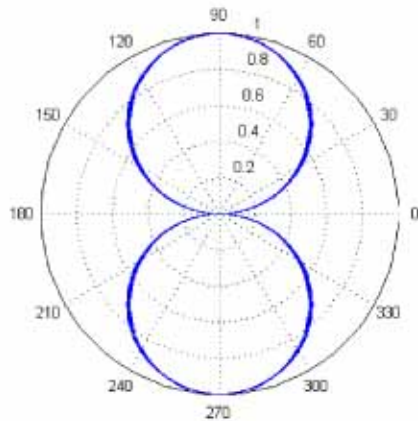
0.3 – 30 MHz

Product Code: DF-A0016

PRODUCT STATUS: Concept

VERSION: 1.0

## Magnitude and phase patterns



## Gain of loop and monopole elements

